

*Aliaxis*



**505**  
PRESE A STAFFA IN PP

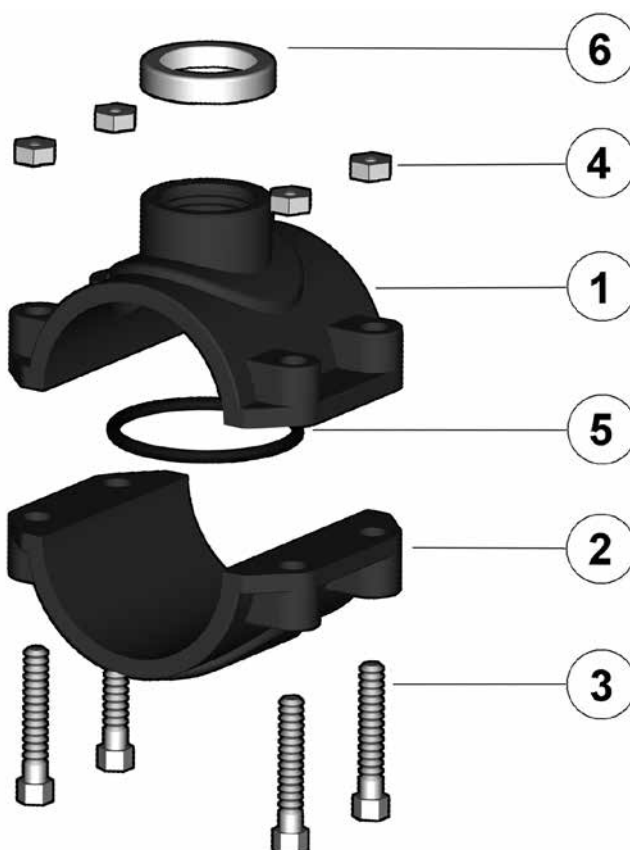
# 505

## PRESE A STAFFA IN PP

- GAMMA dimensionale da d. 20 a d. 315 mm, derivazioni filettate da R 1/2" a R 4"
- Massima pressione di esercizio (PFA):  
da 10 bar fino a dxR 160x2",  
da 6 bar fino a dxR 200x4",  
da 4 bar fino a dxR 315x4"
- Corpi superiore e inferiore in PP
- Guarnizione O-Ring in NBR
- Anello di rinforzo in acciaio inox AISI 430
- Installazione per mezzo di 2/4/6 bulloni in acciaio zincato secondo il diametro (acciaio inox su richiesta)

## COMPONENTI E MATERIALE

- 1 • Corpo superiore (PP)
- 2 • Corpo inferiore (PP)
- 3 • Bulloni (acciaio zincato)
- 4 • Ghiera (acciaio zincato)
- 5 • O-Ring (NBR)
- 6 • Anello di rinforzo (acciaio inox)



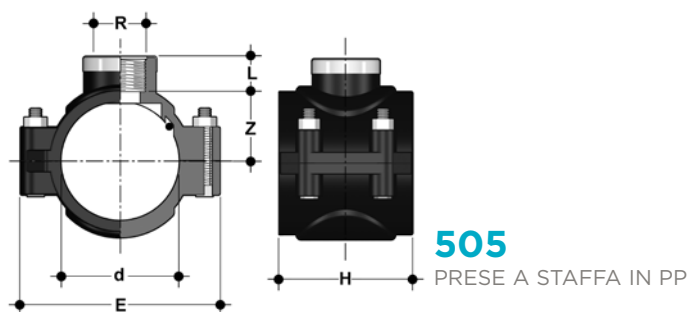
# DATI TECNICI

## PRESSIONE DI ESERCIZIO

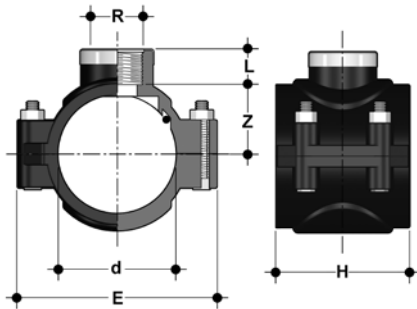
a 20° in accordo a ISO 13460

d X R	1/2"	3/4"	1"	1" 1/4	1" 1/2	2"	2" 1/2	3"	4"
20	10 bar								
25	10 bar	10 bar							
32	10 bar	10 bar	10 bar						
40	10 bar	10 bar	10 bar						
50	10 bar	10 bar	10 bar						
63	10 bar	10 bar	10 bar	10 bar	10 bar				
75	10 bar	10 bar	10 bar	10 bar	10 bar	10 bar			
90	10 bar	10 bar	10 bar	10 bar	10 bar	10 bar			
110	10 bar	10 bar	10 bar	10 bar	10 bar	10 bar		6 bar	
125		10 bar	10 bar	10 bar	10 bar	10 bar			
140			10 bar	10 bar	10 bar	10 bar	6 bar	6 bar	
160		10 bar	10 bar	10 bar	10 bar	10 bar		6 bar	
180				6 bar	6 bar	6 bar		6 bar	6 bar
200				6 bar	6 bar	6 bar		6 bar	6 bar
225				4 bar	4 bar	4 bar		4 bar	4 bar
250				4 bar	4 bar	4 bar		4 bar	4 bar
280				4 bar	4 bar	4 bar		4 bar	4 bar
315				4 bar	4 bar	4 bar		4 bar	4 bar

# DIMENSIONI



d x R	b	E	H	L	Z	g	Codice	Quantità cartone
20 x 1/2"	2 M6x35	62	37,5	17,0	17	60	<b>1S50520B00F</b>	150
25 x 1/2"	2 M6x35	69	43,0	18,5	18,5	70	<b>1S50525B00F</b>	120
25 x 3/4"	2 M6x35	69	43,0	18,5	18,5	75	<b>1S50525C00F</b>	120
32 x 1/2"	2 M8x45	78	45,0	18,5	18,5	99	<b>1S50532B00F</b>	100
32 x 3/4"	2 M8x45	78	45,0	18,5	18,5	103	<b>1S50532C00F</b>	100
32 x 1"	2 M8x45	91	60,0	18,5	18,5	130	<b>1S50532D00F</b>	60
40 x 1/2"	2 M8x45	84	51,0	22,0	22,0	119	<b>1S50540B00F</b>	50
40 x 3/4"	2 M8x45	84	51,0	22,0	22,0	125	<b>1S50540C00F</b>	50
40 x 1"	2 M8x45	84	51,0	22,0	22,0	136	<b>1S50540D00F</b>	50
50 x 1/2"	2 M8x45	87	53,0	22,0	22,0	119	<b>1S50550B00F</b>	75
50 x 3/4"	2 M8x45	87	53,0	22,0	22,0	123	<b>1S50550C00F</b>	75
50 x 1"	2 M8x45	87	71,0	22,0	22,0	132	<b>1S50550D00F</b>	75
63 x 1/2"	4 M8x50	100	71,0	17,0	17,0	227	<b>1S50563B00F</b>	70
63 x 3/4"	4 M8x50	100	71,0	22,0	22,0	229	<b>1S50563C00F</b>	70
63 x 1"	4 M8x50	100	71,0	22,0	22,0	238	<b>1S50563D00F</b>	50
63 x 1" 1/4	4 M8x50	100	71,0	24,0	24,0	246	<b>1S50563E00F</b>	50
63 x 1" 1/2	4 M8x50	100	91,0	24,0	24,0	253	<b>1S50563F00F</b>	60
75 x 1/2"	4 M8x50	120	91,0	17,0	17,0	312	<b>1S50575B00F</b>	60
75 x 3/4"	4 M8x50	120	91,0	20,0	20,0	304	<b>1S50575C00F</b>	60
75 x 1"	4 M8x50	120	91,0	22,0	22,0	311	<b>1S50575D00F</b>	50
75 x 1" 1/4	4 M8x50	120	91,0	24,0	24,0	319	<b>1S50575E00F</b>	45
75 x 1" 1/2	4 M8x50	120	91,0	24,0	24,0	323	<b>1S50575F00F</b>	45
75 x 2"	4 M8x50	120	91,0	26,0	26,0	337	<b>1S50575G00F</b>	45
90 x 1/2"	4 M8x60	137	91,0	17,0	17,0	334	<b>1S50590B00F</b>	40
90 x 3/4"	4 M8x60	137	91,0	20,0	20,0	336	<b>1S50590C00F</b>	40
90 x 1"	4 M8x60	137	91,0	22,0	22,0	345	<b>1S50590D00F</b>	40
90 x 1" 1/4	4 M8x60	137	91,0	24,0	24,0	352	<b>1S50590E00F</b>	35
90 x 1" 1/2	6 M8x60	137	91,0	24,0	24,0	360	<b>1S50590F00F</b>	35
90 x 2"	6 M8x60	137	91,0	26,0	26,0	368	<b>1S50590G00F</b>	35
110 x 1/2"	6 M8x60	155	98,5	17,0	17,0	377	<b>1S50511B00F</b>	25
110 x 3/4"	4 M8x60	155	98,5	20,0	20,0	379	<b>1S50511C00F</b>	25
110 x 1"	4 M8x60	155	98,5	22,0	22,0	386	<b>1S50511D00F</b>	25
110 x 1" 1/4	4 M8x60	155	98,5	24,0	24,0	390	<b>1S50511E00F</b>	25
110 x 1" 1/2	4 M8x60	155	98,5	24,0	24,0	399	<b>1S50511F00F</b>	25
110 x 2"	6 M8x60	155	98,5	24,0	24,0	411	<b>1S50511G00F</b>	25
110 x 3"	6 M8x60	155	98,5	33,0	33,0	545	<b>1S50511H10F</b>	20
125 x 3/4"	6 M8x60	168	101,0	20,0	20,0	510	<b>1S50513C00F</b>	30
125 x 1"	4 M8x60	168	101,0	22,0	22,0	513	<b>1S50513D00F</b>	30
125 x 1" 1/4	4 M8x60	168	101,0	24,0	24,0	520	<b>1S50513E00F</b>	30
125 x 1" 1/2	4 M8x60	168	101,0	24,0	24,0	529	<b>1S50513F00F</b>	30
125 x 2"	4 M8x60	168	101,0	24,0	24,0	545	<b>1S50513G00F</b>	30
140 x 1"	6 M8x60	189	134,0	22,0	22,0	928	<b>1S50515D00F</b>	20
140 x 1" 1/4	6 M8x60	189	134,0	24,0	24,0	932	<b>1S50515E00F</b>	20
140 x 1" 1/2	6 M8x60	189	134,0	24,0	24,0	935	<b>1S50515F00F</b>	20



d x R	b	E	H	L	Z	g	Codice	Quantità cartone
140 x 2"	6 M8x60	189	134	24,0	24,0	945	<b>1S50515G00F</b>	20
140 x 2 1/2"	6 M8x60	189	134	24,0	24,0	960	<b>1S50515H00F</b>	20
140 x 3"	6 M8x60	189	134	33,0	33,0	1010	<b>1S50515I00F</b>	20
160 x 3/4"	6 M8x60	213	137	22,0	22,0	1002	<b>1S50517C00F</b>	16
160 x 1"	6 M8x60	213	137	22,0	22,0	1005	<b>1S50517D00F</b>	16
160 x 1 1/4"	6 M8x60	213	137	24,0	24,0	1030	<b>1S50517E00F</b>	16
160 x 1 1/2"	6 M8x60	213	137	24,0	24,0	1043	<b>1S50517F00F</b>	16
160 x 2"	6 M8x60	213	137	28,5	28,5	1065	<b>1S50517G00F</b>	16
160 x 3"	6 M8x60	213	137	36,0	36,0	1150	<b>1S50517I00F</b>	15
180 x 1 1/4"	6 M10x80	265	171	24,0	24,0	2310	<b>1S50518E00</b>	8
180 x 1/2"	6 M10x80	265	171	24,0	24,0	2330	<b>1S50518F00</b>	8
180 x 2"	6 M10x80	265	171	24,0	24,0	2390	<b>1S50518G00</b>	8
180 x 3"	6 M10x80	265	171	33,0	33,0	2470	<b>1S50518I00</b>	8
180 x 4"	6 M10x80	265	171	42,0	42,0	2590	<b>1S50518L00</b>	8
200 x 1 1/4"	6 M10x80	265	171	24,0	24,0	1970	<b>1S50521E00</b>	8
200 x 1 1/2"	6 M10x80	265	171	24,0	24,0	1885	<b>1S50521F00</b>	8
200 x 2"	6 M10x80	265	171	24,0	24,0	1910	<b>1S50521G00</b>	8
200 x 3"	6 M10x80	265	171	33,0	33,0	2010	<b>1S50521I00</b>	8
200 x 4"	6 M10x80	265	171	42,0	42,0	2130	<b>1S50521L00</b>	8
225 x 1 1/4"	6 M10x80	280	173	24,0	24,0	2060	<b>1S50523E00</b>	7
225 x 1 1/2"	6 M10x80	280	173	24,0	24,0	2080	<b>1S50523F00</b>	7
225 x 2"	6 M10x80	280	173	24,0	24,0	2105	<b>1S50523G00</b>	7
225 x 3"	6 M10x80	280	173	33,0	33,0	2230	<b>1S50523I00</b>	7
225 x 4"	6 M10x80	280	173	42,0	42,0	2350	<b>1S50523L00</b>	7
250 x 1 1/4"	6 M10x80	313	181	24,0	24,0	2530	<b>1S50526E00</b>	7
250 x 1 1/2"	6 M10x80	313	181	24,0	24,0	2550	<b>1S50526F00</b>	7
250 x 2"	6 M10x80	313	181	24,0	24,0	2580	<b>1S50526G00</b>	7
250 x 3"	6 M10x80	313	181	33,0	33,0	2670	<b>1S50526I00</b>	7
250 x 4"	6 M10x80	313	181	42,0	42,0	2790	<b>1S50526L00</b>	6
280 x 1 1/4"	6 M10x80	385	190	24,0	24,0	4000	<b>1S50528E00</b>	3
280 x 1 1/2"	6 M10x80	385	190	24,0	24,0	4020	<b>1S50528F00</b>	3
280 x 2"	6 M10x80	385	190	24,0	24,0	4050	<b>1S50528G00</b>	3
280 x 3"	6 M10x80	385	190	33,0	33,0	4130	<b>1S50528I00</b>	3
280 x 4"	6 M10x80	385	190	42,0	42,0	4250	<b>1S50528L00</b>	3
315 x 1 1/4"	6 M10x80	385	190	24,0	24,0	3055	<b>1S50533E00</b>	4
315 x 1 1/2"	6 M10x80	385	190	24,0	24,0	3070	<b>1S50533F00</b>	4
315 x 2"	6 M10x80	385	190	24,0	24,0	3100	<b>1S50533G00</b>	4
315 x 3"	6 M10x80	385	190	33,0	33,0	3220	<b>1S50533I00</b>	4
315 x 4"	6 M10x80	385	190	42,0	42,0	3350	<b>1S50533L00</b>	4